

WINCORE™

WINDOWS & DOORS

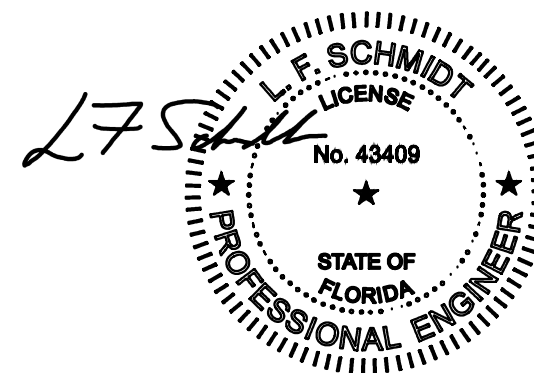
250 Staunton Turnpike, Parkersburg, WV 26104

8800 Series Vinyl Fixed Window "IMPACT"

GENERAL NOTES

1. This product has been evaluated and is in compliance with the 8th Edition (2023) Florida Building Code (FBC) structural requirements excluding the "High Velocity Hurricane Zone" (HVHZ).
2. Product anchors shall be as listed and spaced as shown on details. Anchor embedment to base material shall be beyond wall dressing or stucco.
3. When used in areas requiring wind borne debris protection this product complies with FBC Sections 1609.1.2 & R301.2.1.2 and does not require an impact resistant covering. This product meets missile level "D" and includes Wind Zone 4 as defined in ASTM E1996 and FBC Sections 1609.1.2.2 & R301.2.1.2.1. (Note: Glazing Detail G1 excludes Wind Zone 4).
4. For 2x stud framing construction, anchoring of these units shall be the same as that shown for 2x buck masonry construction.
5. Site conditions that deviate from the details of this drawing require further engineering analysis by a licensed engineer or registered architect.

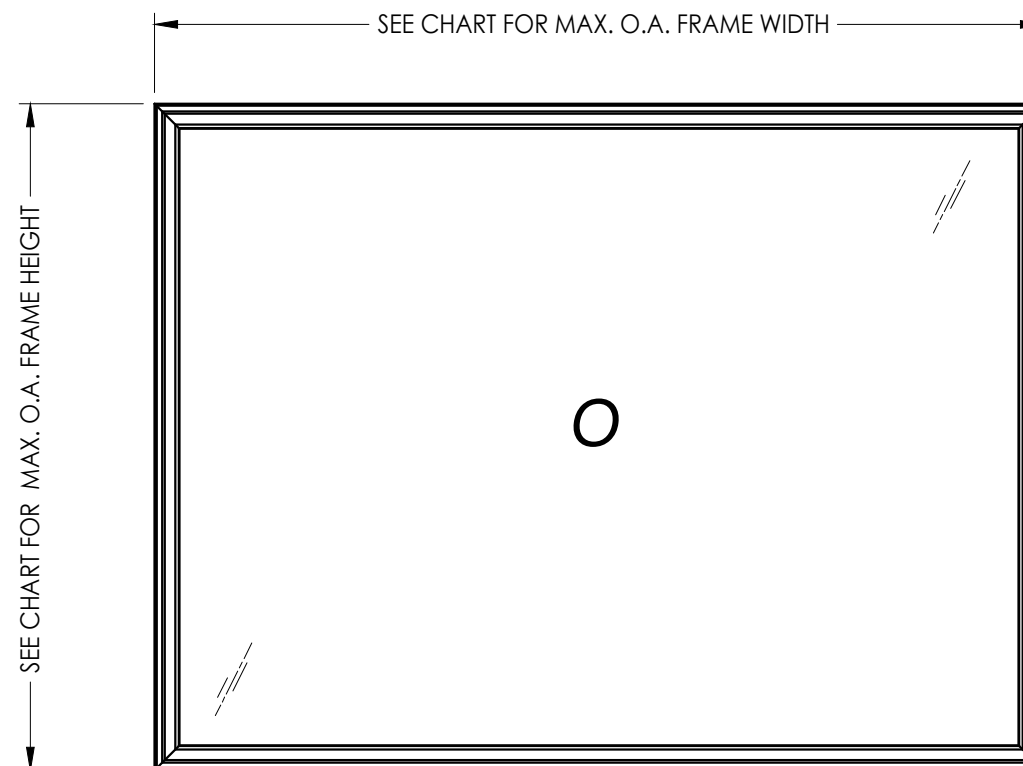
TABLE OF CONTENTS	
SHEET#	DESCRIPTION
1	Typical elevations, design pressures and general notes
2	Horizontal cross sections
3	Buck & frame anchoring
4	Buck & frame anchoring
5	Bill of materials, glazing details & components



This item has been digitally signed and sealed by L. F. Schmidt, P.E. on the date adjacent to the seal.

Printed copies of this document are not considered signed and sealed and the signature must be verified on any electronic copies.

THIS PRODUCT APPROVAL IS VALID ONLY FOR THE STATE OF FLORIDA



NOTE: HORIZONTAL OR VERTICAL ORIENTATION IS ALLOWED

MAX. FRAME DIMENSION	MAX. D.L.O. DIMENSION	GLASS TYPE	DESIGN PRESSURE (PSF)	
			POSITIVE	NEGATIVE
67.0" X 54.0"	61.75" X 48.75"	G1, G2	+50.0	-50.0
84.0" X 40.0"	78.75" X 34.75"	G1	+50.0	-50.0
84.0" X 54.0"	78.75" X 48.75"	G3	+50.0	-50.0
72.0" X 72.0"	66.75" X 66.75"	G3	+65.0	-65.0
76.0" X 63.0"	70.75" X 57.75"	G3	+65.0	-70.0
76.0" X 48.0"	70.75" X 42.75"	G2	+65.0	-65.0

Documents Prepared By:
Lyndon F. Schmidt
P.E. No. 43409

PRODUCT:
8800 SERIES
VINYL FIXED WINDOW

PART OR ASSEMBLY:
TYPICAL ELEVATION, DESIGN PRESSURES & GENERAL NOTES

NO.	DATE	BY	REVISIONS
2	7/06/23	LFS	UPDATE TO 8TH ED. (2023) FBC
1	7/06/20	LFS	UPDATE TO 7TH ED. (2020) FBC AND REVISE GLAZING NOTES

DATE: 4/07/20

SCALE: N.T.S.

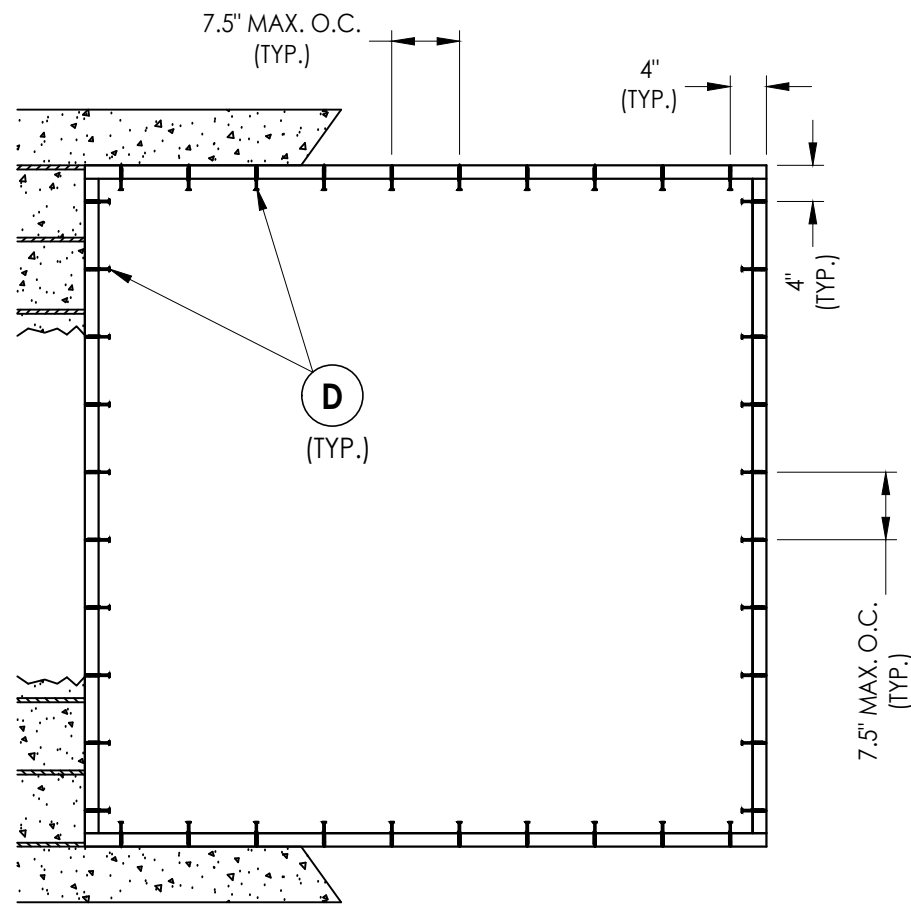
DWG. BY: TJ

CHK. BY: LFS

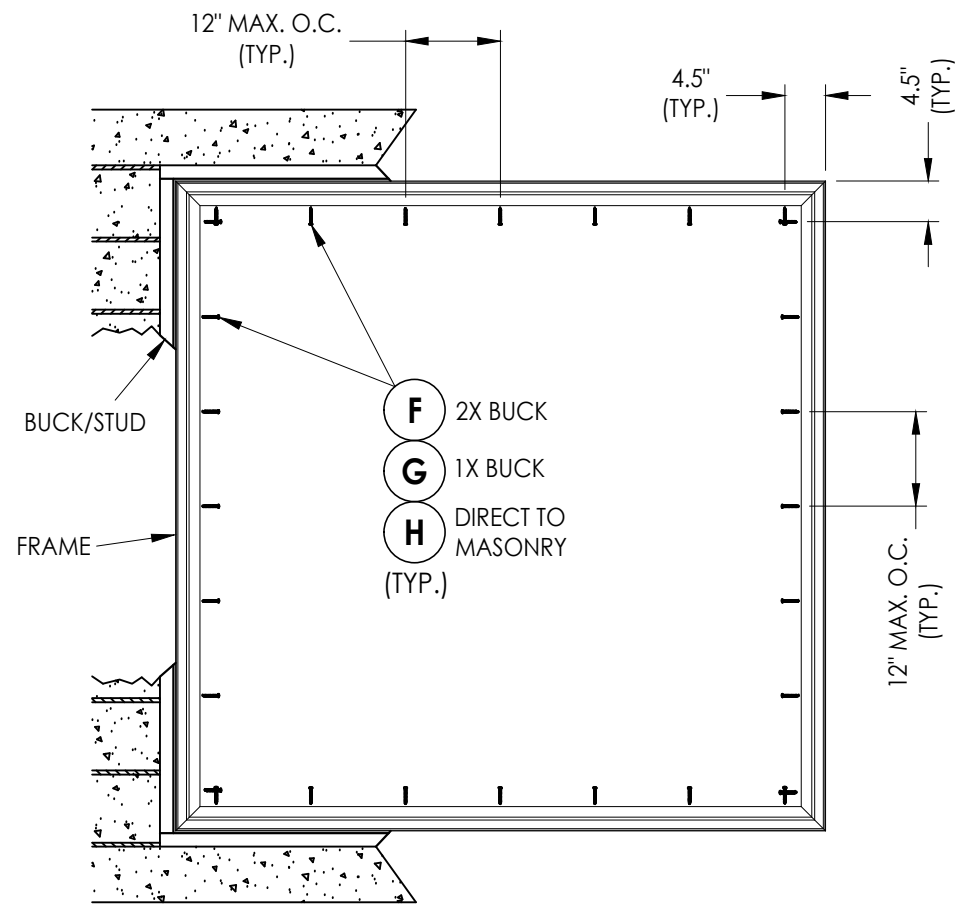
DRAWING NO.:
FL-15816.14

SHEET 1 OF 5

RW BUILDING CONSULTANTS, INC.
P.O. Box 230, Vairico, FL 33595
Phone No.: 813.659.9197
FBPE Registry No. 9813



BUCK ANCHORING
76" x 72" MAX. FRAME SIZE



FRAME ANCHORING
76" x 72" MAX. FRAME SIZE

MAX. DESIGN PRESSURE = ±70 PSF

CONCRETE ANCHOR NOTES:

1. Concrete anchor locations at the corners may be adjusted to maintain the min. edge distance to mortar joints.
2. Concrete anchor locations noted as "MAX. ON CENTER" must be adjusted to maintain the min. edge distance to mortar joints, additional concrete anchors may be required to ensure the "MAX. ON CENTER" dimension are not exceeded.
3. Concrete anchor table:

ANCHOR TYPE	ANCHOR SIZE	MIN. EMBEDMENT	MIN. CLEARANCE TO MASONRY EDGE	MIN. CLEARANCE TO ADJACENT ANCHOR
ITW TAPCON®	1/4"	1-1/4"	2"	4"
DeWALT ULTRACON+®	1/4"	1-1/4"	1"	4"

WOOD SCREW INSTALLATION NOTES:

1. Maintain a minimum 5/8" edge distance, 1" end distance, & 1" o.c. spacing of wood screws to prevent the splitting of wood.

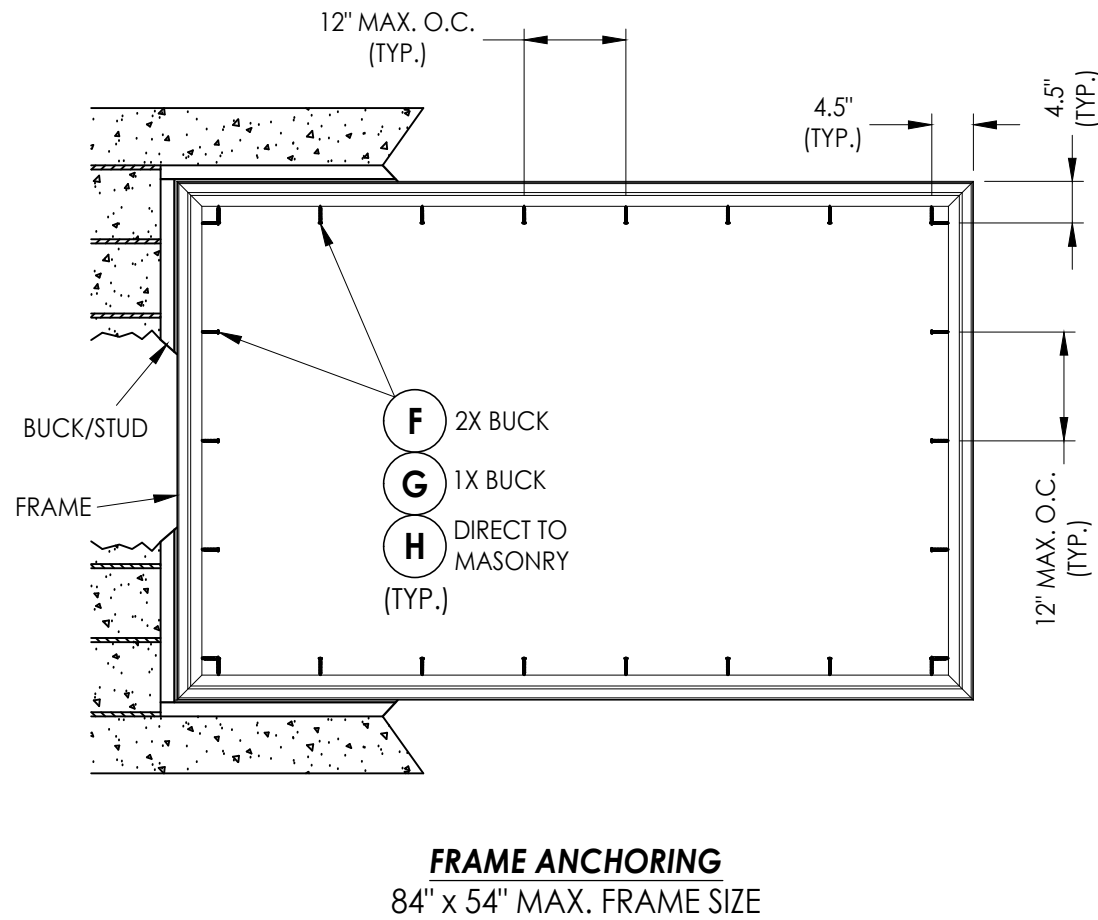
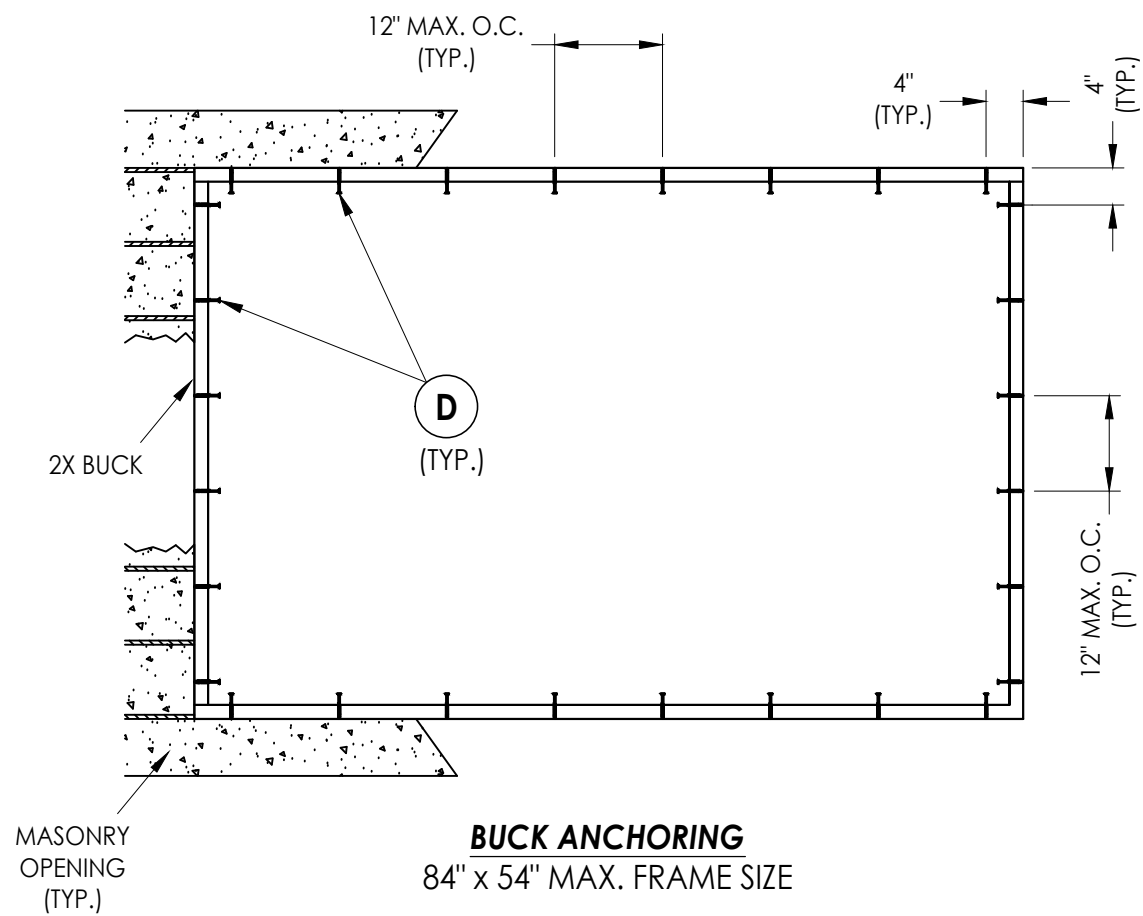
Documents Prepared By:
Lyndon F. Schmidt
P.E. No. 43409

RW BUILDING CONSULTANTS, INC.
P.O. Box 230, Vairico, FL 33595
Phone No.: 813.659.9197
FBPE Registry No. 9813

PRODUCT: 8800 SERIES VINYL FIXED WINDOW
PART OR ASSEMBLY: BUCK & FRAME ANCHORING

NO.	DATE	BY	REVISIONS
2	7/06/23	LFS	UPDATE TO 8TH ED. (2023) FBC
1	7/06/20	LFS	UPDATE TO 7TH ED. (2020) FBC AND REVISE GLAZING NOTES

DATE: 4/07/20
SCALE: N.T.S.
DWG. BY: TJ
CHK. BY: LFS
DRAWING NO.: FL-15816.14
SHEET 3 OF 5



MAX. DESIGN PRESSURE = ±50 PSF

CONCRETE ANCHOR NOTES:

- Concrete anchor locations at the corners may be adjusted to maintain the min. edge distance to mortar joints.
- Concrete anchor locations noted as "MAX. ON CENTER" must be adjusted to maintain the min. edge distance to mortar joints, additional concrete anchors may be required to ensure the "MAX. ON CENTER" dimension are not exceeded.
- Concrete anchor table:

ANCHOR TYPE	ANCHOR SIZE	MIN. EMBEDMENT	MIN. CLEARANCE TO MASONRY EDGE	MIN. CLEARANCE TO ADJACENT ANCHOR
ITW TAPCON®	1/4"	1-1/4"	2"	4"
DeWALT ULTRACON®	1/4"	1-1/4"	1"	4"

WOOD SCREW INSTALLATION NOTES:

- Maintain a minimum 5/8" edge distance, 1" end distance, & 1" o.c. spacing of wood screws to prevent the splitting of wood.

Documents Prepared By:
Lyndon F. Schmidt
P.E. No. 43409

RW BUILDING CONSULTANTS, INC.
P.O. Box 230, Vairico, FL 33595
Phone No.: 813.659.9197
FBPE Registry No. 9813

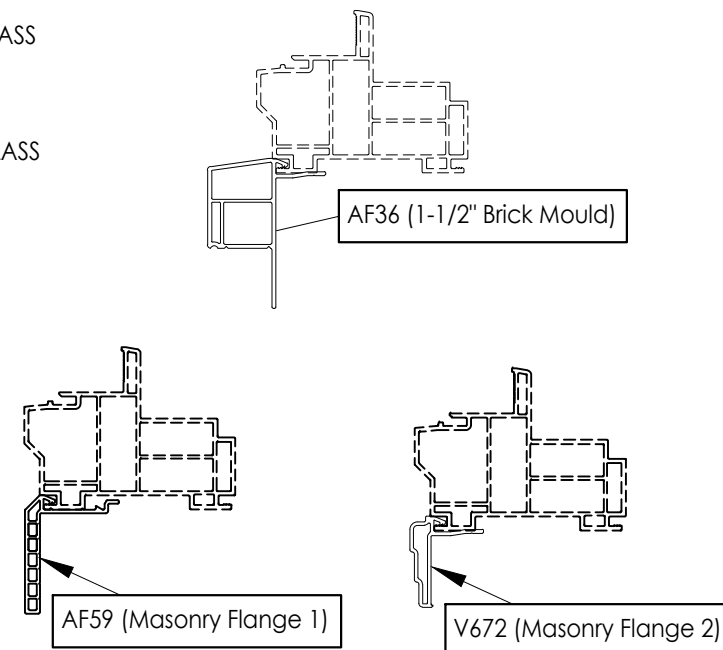
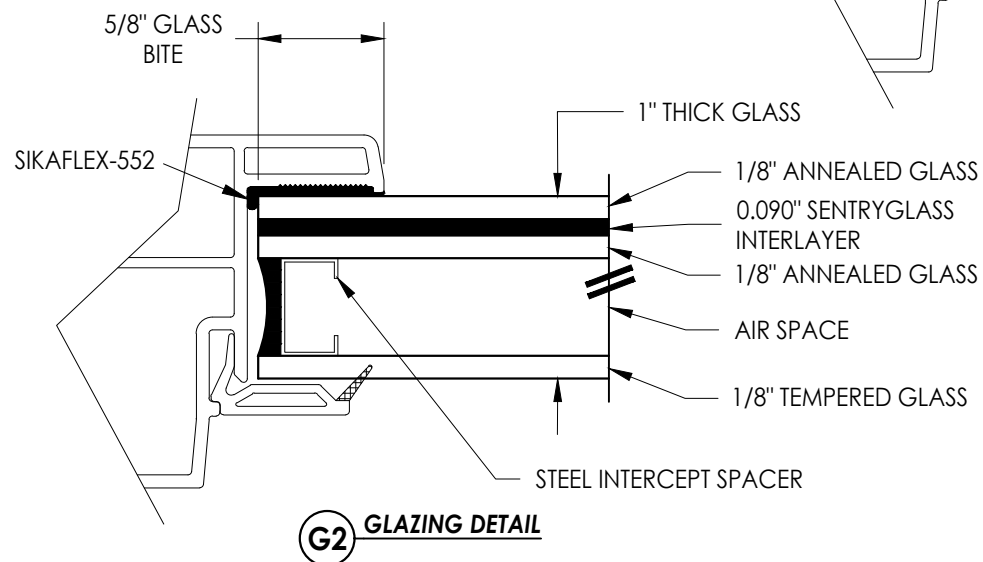
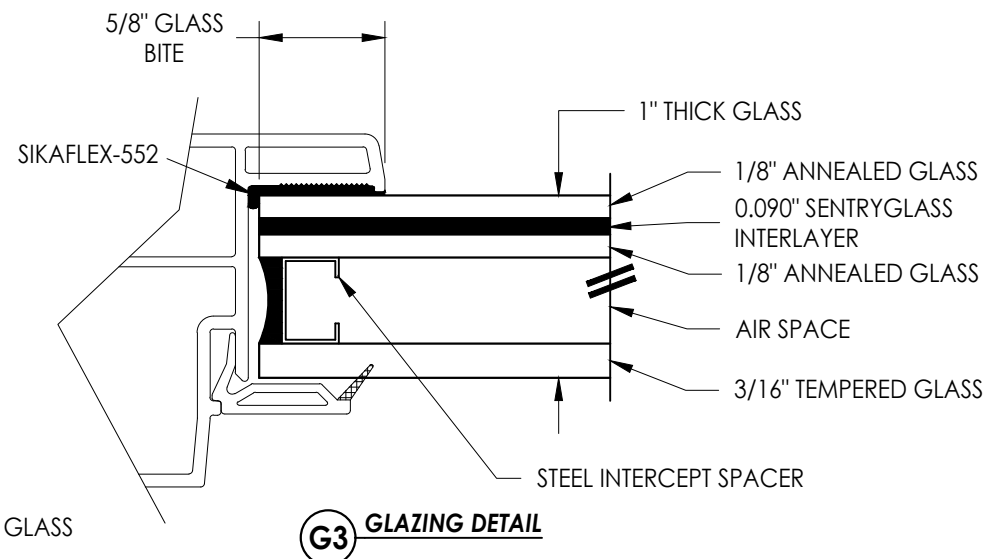
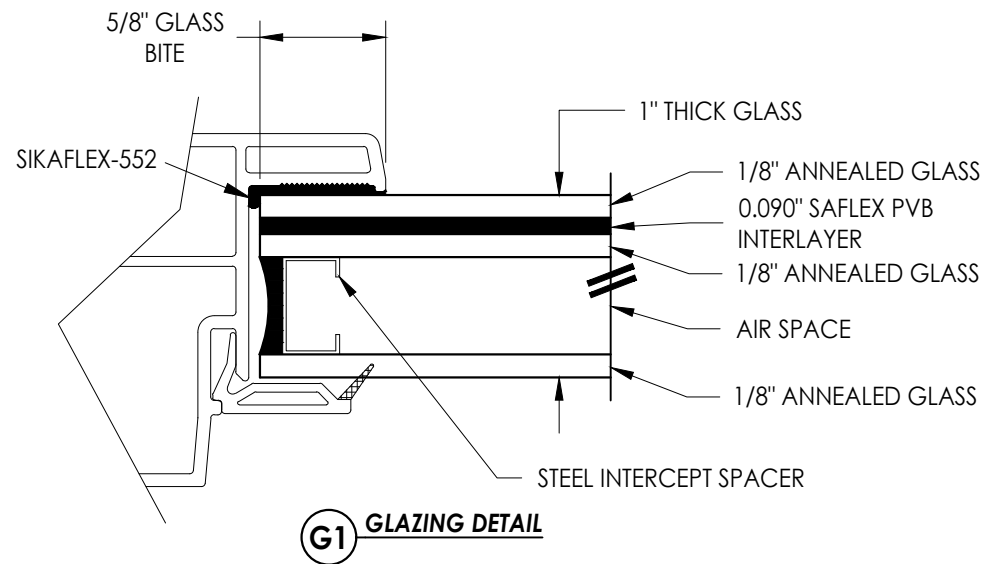
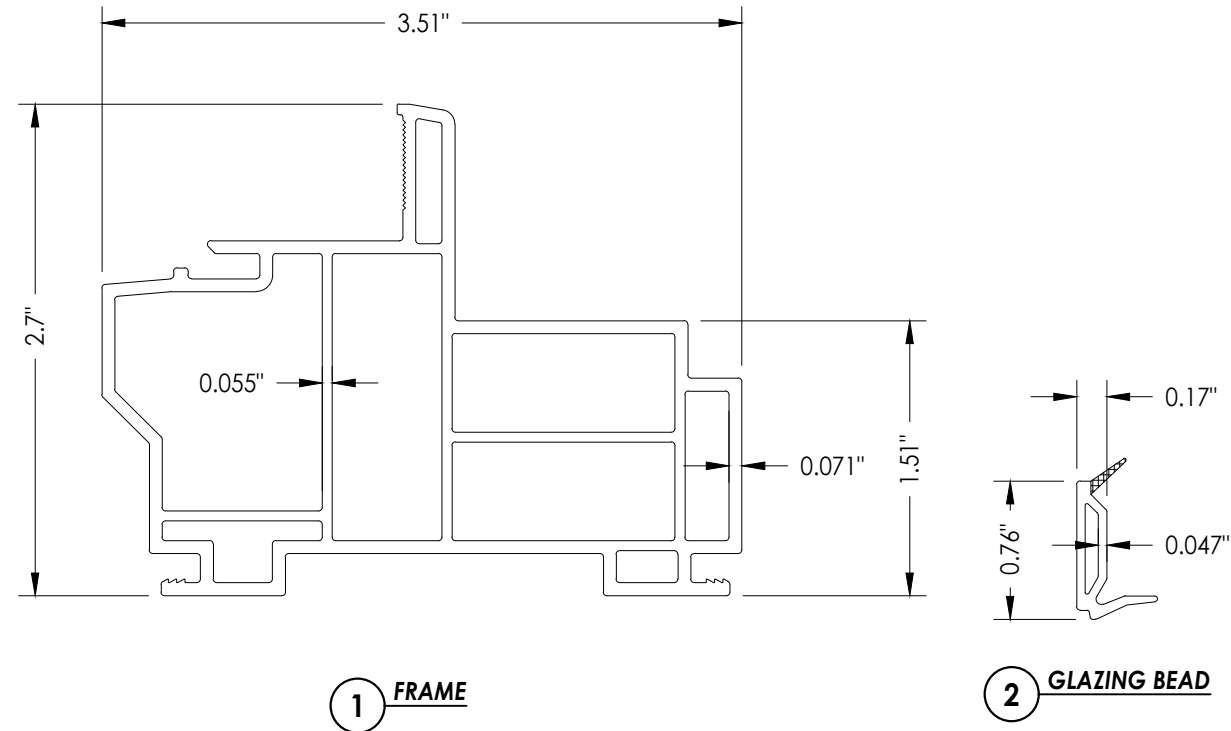
PRODUCT: 8800 SERIES VINYL FIXED WINDOW
PART OR ASSEMBLY: BUCK & FRAME ANCHORING

NO.	DATE	REVISIONS	BY
2	7/06/23	UPDATE TO 8TH ED. (2023) FBC LFS	LFS
1	7/06/20	UPDATE TO 7TH ED. (2020) FBC LFS	LFS
		AND REVISE GLAZING NOTES	

DATE: 4/07/20
SCALE: N.T.S.
DWG. BY: TJ
CHK. BY: LFS
DRAWING NO.: FL-15816.14
SHEET 4 OF 5

BILL OF MATERIALS		
ITEM #	DESCRIPTION	MATERIAL
A	1X BUCK (SG >= 0.42)	WOOD
B	2X BUCK (SG >= 0.42)	WOOD
C	1/4" MAX. SHIM SPACE	-
D	1/4" X 2-3/4" PFH DeWALT OR ITW CONCRETE SCREW	STEEL
E	MASONRY - 3,000 PSI MIN. CONCRETE CONFORMING TO ACI 301 OR HOLLOW BLOCK CONFORMING TO ASTM C90	CONCRETE
F	#10 X 2" MODIFIED TRUSS HEAD (7/16" Ø) SMS (1-5/16" MIN. EMBEDMENT)	STEEL
G	1/4" X 3-1/4" HWH DeWALT OR ITW CONCRETE SCREW	STEEL
H	1/4" X 2-3/4" HWH DeWALT OR ITW CONCRETE SCREW	STEEL
1	FRAME (PE7701B)*	PVC
2	1" GLAZING BEAD (BV79)*	PVC

* THE APPROVED WHITE RIGID PVC EXTERIOR EXTRUSIONS FOR WINDOWS ARE TO BE PRODUCED BY EXTRUDERS LICENSEES IN "AAMA CERTIFICATION PROGRAMS FOR RIGID PVC EXTRUSIONS".



OPTIONAL COSMETIC FLANGES

Documents Prepared By:
Lyndon F. Schmidt
P.E. No. 43409

RW BUILDING CONSULTANTS, INC.
P.O. Box 230, Valrico, FL 33595
Phone No.: 813.659.9197
FBPE Registry No. 9813

PRODUCT: 8800 SERIES VINYL FIXED WINDOW
PART OR ASSEMBLY: BILL OF MATERIALS, GLAZING DETAILS & COMPONENTS

NO.	DATE	REVISIONS	BY
2	7/06/23	UPDATE TO 8TH ED. (2023) FBC	LFS
1	7/06/20	UPDATE TO 7TH ED. (2020) FBC AND REVISE GLAZING NOTES	LFS

DATE: 4/07/20
SCALE: N.T.S.
DWG. BY: TJ
CHK. BY: LFS
DRAWING NO.: FL-15816.14
SHEET 5 OF 5